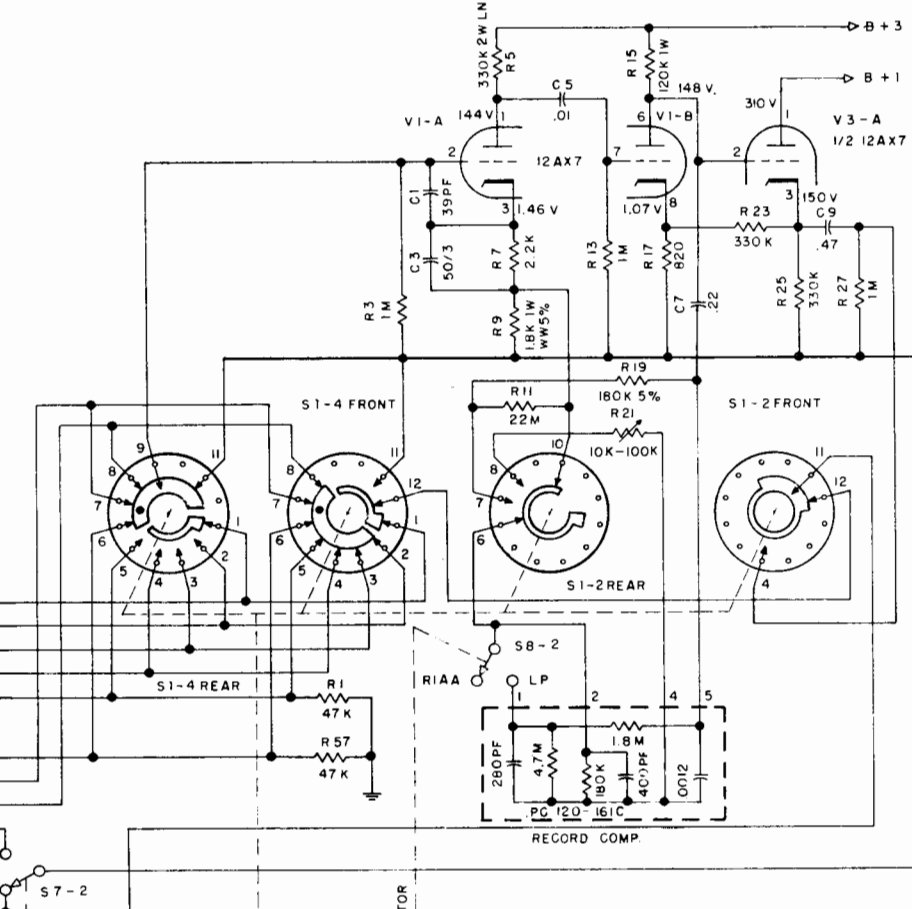


LEFT CHANNEL

LEFT CHANNEL INPUTS

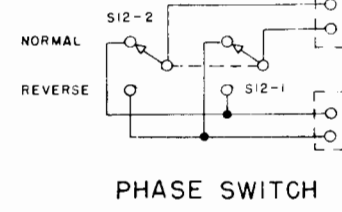
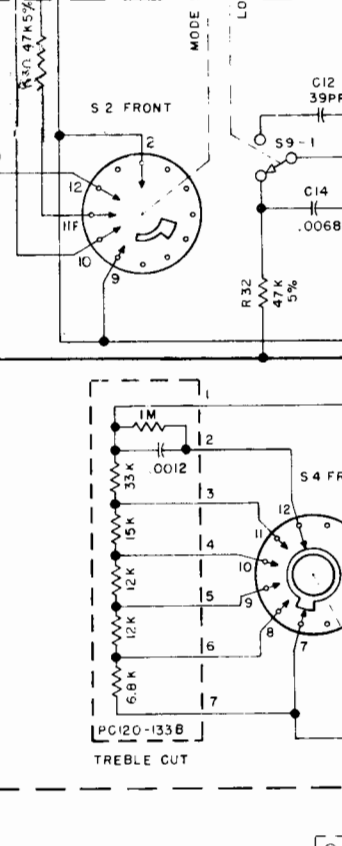
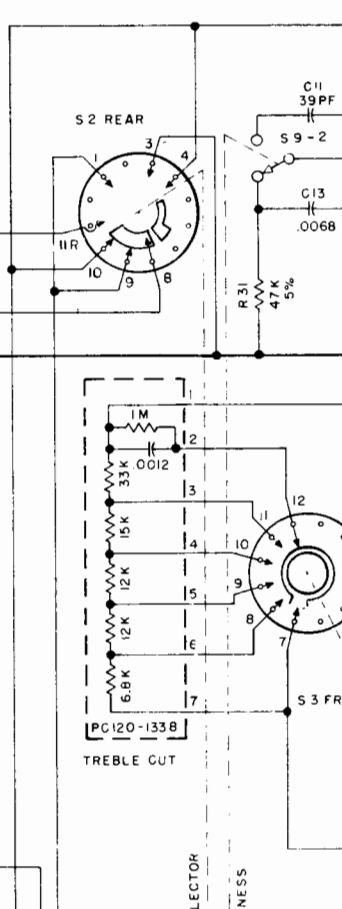
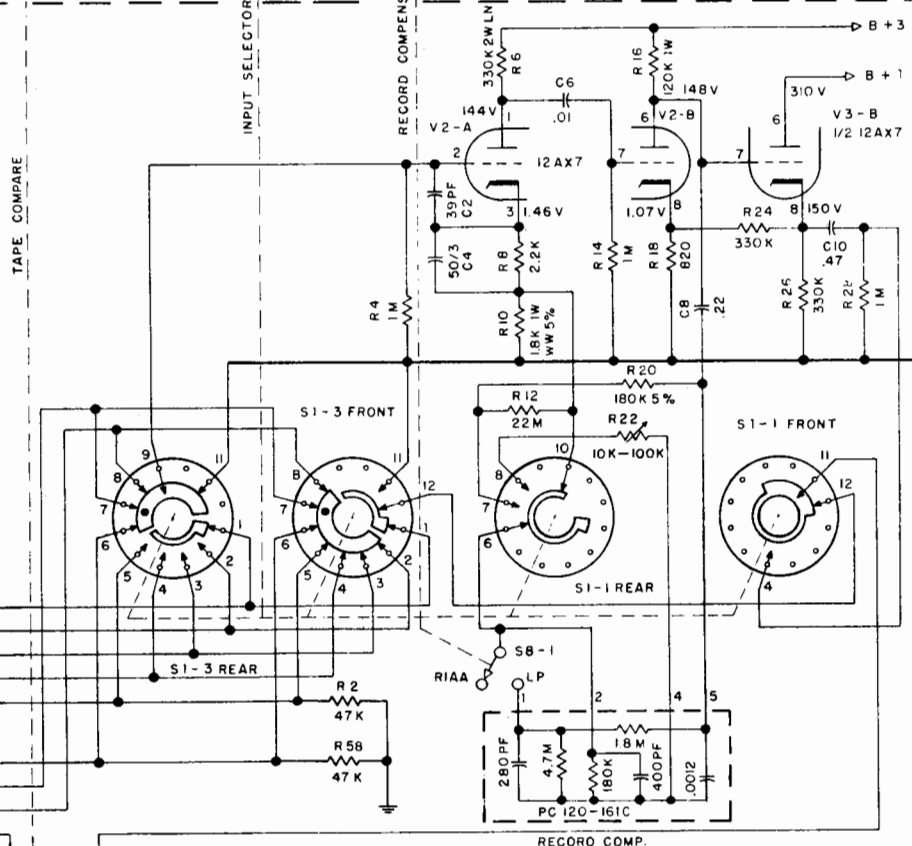
- AUX
- TAPE
- TUNER 1
- TUNER 2
- PHONO 1
- PHONO 2
- MIC.
- TAPE HD
- MONITOR INPUT
- MONITOR
- TAPE OUTPUT



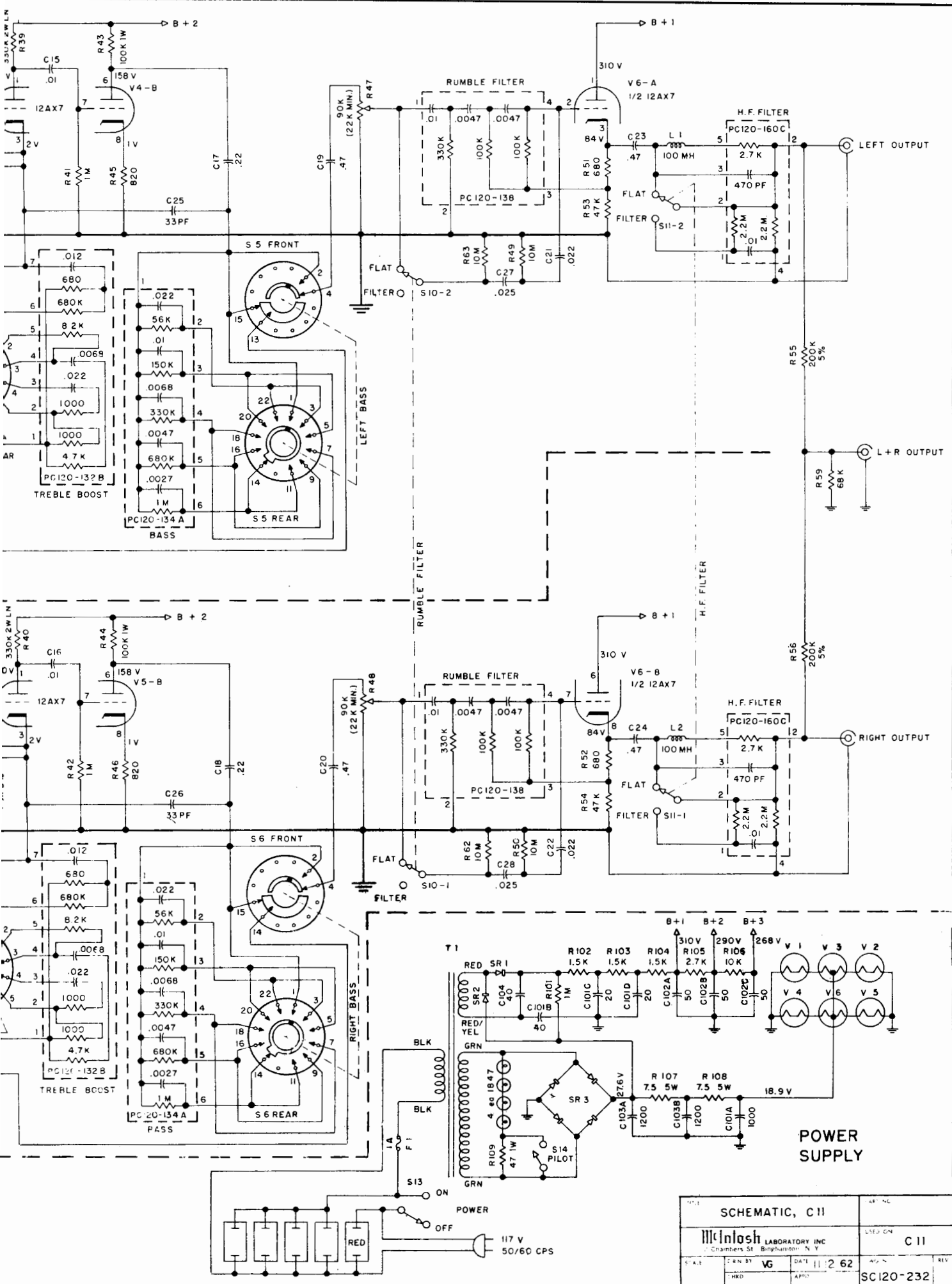
RIGHT CHANNEL

RIGHT CHANNEL INPUTS

- AUX
- TAPE
- TUNER 1
- TUNER 2
- PHONO 1
- PHONO 2
- MIC.
- TAPE HD
- MONITOR INPUT
- MONITOR
- TAPE OUTPUT



PHASE SWITCH



SCHEMATIC, C11		DATE	
LABORATORY INC Chambers St. Binghamton, N.Y.		USED ON	C11
SCALE	DRAWN BY VG	DATE	11/2 62
CHKD	APPD	REV	SC120-232